

HMI with 4.3" TFT Display

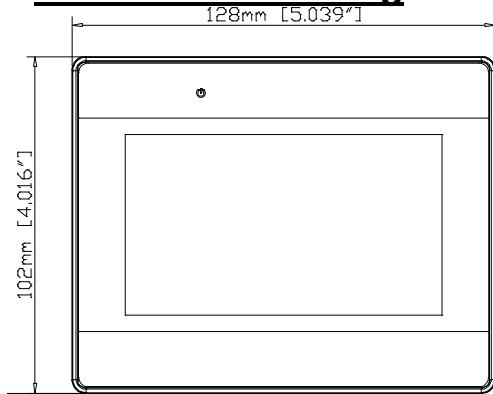


◆ Features

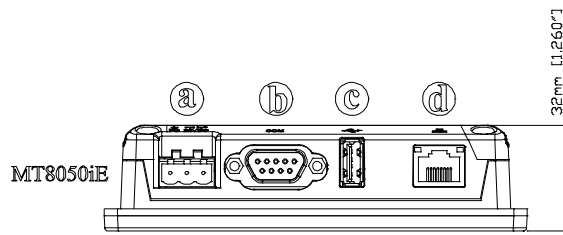
- 4.3" 480x272 TFT LCD, LED Backlight
- Slim design
- PCB coating process ensures high reliability to resist from corrosive in harsh environment
- Fan-less Cooling System
- COM1 and COM3 [RS485]2W support MPI 187.5K, please use one at one time
- NEMA4/IP65 Compliant Front Panel

| | | |
|----------------------|---------------------------------|--|
| Display | Display | 4.3" TFT |
| | Resolution (WxH dots) | 480 x 272 |
| | Brightness (cd/m ²) | 500 |
| | Contrast Ratio | 500:1 |
| | Backlight Type | LED |
| | Backlight Life Time | >30,000 hrs. |
| | Colors | 16M |
| Touch Panel | Type | 4-wire Resistive Type |
| | Accuracy | Active Area Length(X)±2%, Width(Y)±2% |
| Memory | Storage(MB) | 128 |
| | RAM (MB) | 128 |
| Processor | | 32 bits RISC Cortex-A8 600MHz |
| I/O Port | USB Host | USB 2.0 x 1 |
| | Ethernet | 1 RJ45 port (10/100 Base-T) |
| | COM Port | Com1: RS-232/RS-485 2w/4w, Com3:RS-485 2w |
| RTC | | Built-in |
| Power | Input Power | 24±20%V _{DC} |
| | Power Consumption | 300mA@24VDC |
| | Voltage Resistance | 500VAC (1 min) |
| | Isolation Resistance | Exceed 50MΩ at 500VDC |
| | Vibration Endurance | 10 to 25Hz(X,Y,Z direction 2G 30 minutes) |
| Specification | Enclosure | Plastic |
| | Dimensions WxHxD | 128 x 102 x 32mm |
| | Panel Cutout (mm) | 119 x 93 |
| | Weight (kg) | Approx.0.25 kg |
| Environment | Protection Structure | NEMA4 / IP65 |
| | Storage Temperature | -20°~60°C (-4° ~ 140°F) |
| | Operating Temperature | 0° ~ 50°C (32° ~ 122°F) |
| | Relative Humidity | 10% ~ 90% @ 40°C (non-condensing) |
| Certificate | CE | CE marked |
| Software | | EasyBuilder Pro V4.00.01 or later versions |

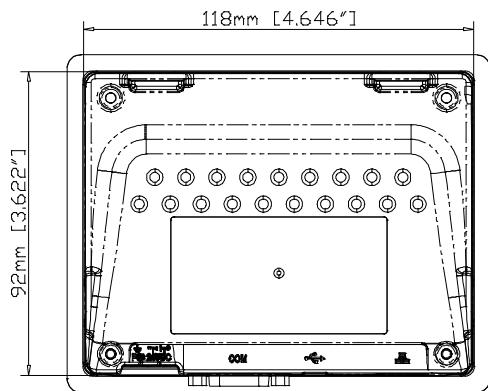
◆ Dimensions Drawing



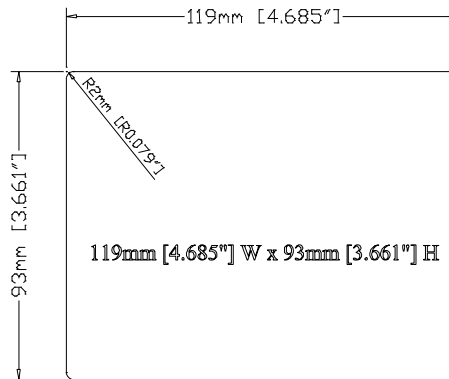
Front View



Bottom View

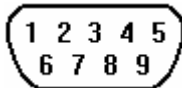


Rear View



Cutout Dimensions

Pin Designations



Pin assignment of the 9 Pin, Male, D-sub
Com1[RS-232], Com1[RS-485 2w/4w],
Com3[RS-485]

| Pin# | Com1[RS485] | | Com1[RS232] | Com3[RS485] |
|------|---------------------|--------|---------------|-------------|
| | 4 wire | 2 wire | | |
| 1 | Rx- | Data- | | |
| 2 | Rx+ | Data+ | | |
| 3 | Tx- | | | |
| 4 | Tx+ | | | |
| 5 | Signal Ground (GND) | | | |
| 6 | | | Transmit(TxD) | |
| 7 | | | | Data- |
| 8 | | | | Data+ |
| 9 | | | Receive(RxD) | |

| | |
|---|--|
| a | Power Connector |
| b | Com1: RS-232/RS-485 2w/4w, Com3:RS-485 2w |
| c | USB Host |
| d | Ethernet Port |

Ordering Information

□ **MT8050iE:**
4.3" TFT LCD HMI, 128MB flash
memory/128MB DDR2 RAM on board.